



VAT Vakuumventile AG
CH-9469 Haag, Schweiz

Product data sheet

HV gate valve, Series 110, DN 63 (ID 2½'')
Ordering No. 11036-CE24

Description

| | |
|-------------|---|
| Flange | CF-F 63 |
| Actuator | Pneumatic, double acting – with position indicator |
| Feedthrough | Bellows |

Technical data

| | | |
|---|----------------------|---|
| Leak rate | – Valve body | $< 1 \cdot 10^{-9}$ mbar ls ⁻¹ |
| | – Valve seat | $< 1 \cdot 10^{-9}$ mbar ls ⁻¹ |
| Pressure range | | $1 \cdot 10^{-8}$ mbar to 1.6 bar (abs) |
| Differential pressure on the gate | | ≤ 1.6 bar |
| Differential pressure at opening | | ≤ 30 mbar |
| Conductance (molecular flow) | | 600 ls ⁻¹ |
| Cycles until first service | | 200 000 (unheated and under clean conditions) |
| Temperature | – Valve body | ≤ 150 °C |
| (Maximum values: depending on operating conditions and sealing materials) | – Actuator | ≤ 80 °C |
| | – Position indicator | ≤ 50 °C |
| Heating and cooling rate | | 50 °C h ⁻¹ |
| Material (main components) | – Valve body | AISI 304 (1.4301) |
| | – Mechanism | AISI 316L (1.4404) |
| | – Bellows | AISI 633 (AM350) |
| Seal | – Bonnet | FKM (Viton®) |
| | – Gate | FKM (Viton®), vulcanized |
| | – Actuator | FKM (Viton®), NBR |
| Mounting position | | any |
| Volume of pneumatic actuator | | 0.096 l / 0.0034 ft ³ |
| Compressed air min. – max. overpressure | | 4 – 7 bar / 58 – 102 psi |
| Compressed air connection | | M5 (10-32 UNF suitable) |
| Actuation time | – Closing | 1.0 s |
| | – Opening | 1.0 s |
| Weight | | 7 kg / 15.4 lbs |

| | | |
|-----------------|--------------------------|-----------------|
| Created by: JOM | Release date: 2014-02-17 | 1 of 2 |
| Modified by: | Release date: | 606116EA |



VAT Vakuumventile AG
CH-9469 Haag, Schweiz

Product data sheet

HV gate valve, Series 110, DN 63 (ID 2½'')

Ordering No. 11036-CE24

Behavior in case of compressed air pressure drop – Valve closed
– Valve open

valve remains closed
undefined

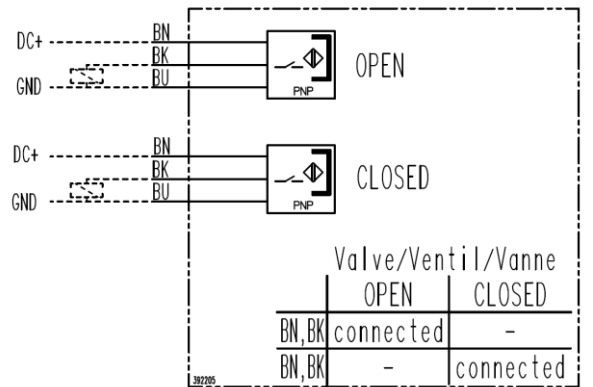
Behavior in case of power failure – Valve closed
– Valve open

depending on customer installation
depending on customer installation

Electrical connections

Position indicator

Type PNP NO with LED
Voltage 10 – 30 V DC
Current max. 200 mA
Power max. 10 W
Cable length 1800 mm / 70.9 inch



Wiring diagram