



VAT Vakuumventile AG  
CH-9469 Haag, Schweiz

## Product data sheet

**HV gate valve, Series 110, DN 200 (ID 8")**  
**Ordering No. 11046-UE24**

### Description

Flange	CF-F 200 UNF
Actuator	Pneumatic, double acting – with position indicator
Feedthrough	Bellows

### Technical data

Leak rate	– Valve body	$< 1 \cdot 10^{-9}$ mbar ls <sup>-1</sup>
	– Valve seat	$< 1 \cdot 10^{-9}$ mbar ls <sup>-1</sup>
Pressure range		$1 \cdot 10^{-8}$ mbar to 1.6 bar (abs)
Differential pressure on the gate		$\leq 1.6$ bar
Differential pressure at opening		$\leq 30$ mbar
Conductance (molecular flow)		12 200 ls <sup>-1</sup>
Cycles until first service		200 000 (unheated and under clean conditions)
Temperature	– Valve body	$\leq 150$ °C
(Maximum values: depending on operating conditions and sealing materials)	– Actuator	$\leq 80$ °C
	– Position indicator	$\leq 50$ °C
Heating and cooling rate		50 °C h <sup>-1</sup>
Material (main components)	– Valve body	AISI 304 (1.4301)
	– Mechanism	AISI 316L (1.4404)
	– Bellows	AISI 633 (AM350)
Seal	– Bonnet	FKM (Viton®)
	– Gate	FKM (Viton®), vulcanized
	– Actuator	FKM (Viton®), NBR
Mounting position		any
Volume of pneumatic actuator		0.26 l / 0.0092 ft <sup>3</sup>
Compressed air min. – max. overpressure		4 – 7 bar / 58 – 102 psi
Compressed air connection		M5 female (10-32 UNF suitable)
Actuation time	– Closing	3.5 s
	– Opening	3.5 s
Weight		18 kg / 39.7 lbs

Created by: MAEM	Release date: 2013-03-27	1 of 2
Modified by:	Release date:	<b>295018EA</b>



VAT Vakuumentile AG  
CH-9469 Haag, Schweiz

## Product data sheet

**HV gate valve, Series 110, DN 200 (ID 8")**  
**Ordering No. 11046-UE24**

Behavior in case of compressed air pressure drop – Valve closed  
– Valve open

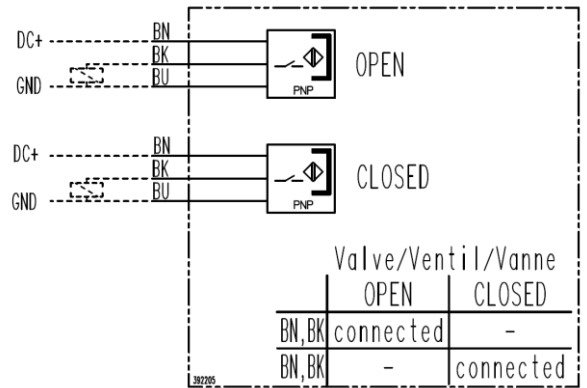
Behavior in case of power failure – Valve closed  
– Valve open

valve remains closed  
undefined

depending on customer installation  
depending on customer installation

### Position indicator

Type PNP NO with LED  
Voltage 10 – 30 V DC  
Current max. 200 mA  
Power max. 10 W  
Cable length 1800 mm / 70.9 inch



Wiring diagram