



VAT Vakuumventile AG
CH-9469 Haag, Schweiz

Product data sheet

HV gate valve, Series 110, DN 320 (ID 12'')
Ordering No. 11050-PE24

Description

Flange	ISO-F 320
Actuator	Pneumatic, double acting – with position indicator
Feedthrough	Bellows

Technical data

Leak rate	– Valve body	$< 1 \cdot 10^{-9}$ mbar ls ⁻¹
	– Valve seat	$< 1 \cdot 10^{-9}$ mbar ls ⁻¹
Pressure range		$1 \cdot 10^{-8}$ mbar to 1.2 bar (abs)
Differential pressure on the gate		≤ 1.2 bar
Differential pressure at opening		≤ 30 mbar
Conductance (molecular flow)		34 955 ls ⁻¹
Cycles until first service		200 000 (unheated and under clean conditions)
Temperature	– Valve body	≤ 150 °C
(Maximum values: depending on operating conditions and sealing materials)	– Actuator	≤ 80 °C
	– Position indicator	≤ 50 °C
Heating and cooling rate		50 °C h ⁻¹
Material (main components)	– Valve body	AISI 304 (1.4301)
	– Mechanism	AISI 304 (1.4301)
	– Bellows	AISI 633 (AM350)
Seal	– Bonnet	FKM (Viton®)
	– Gate	FKM (Viton®), O-ring
	– Actuator	FKM (Viton®), NBR
Mounting position		any
Volume of pneumatic actuator		0.46 l / 0.0162 ft ³
Compressed air min. – max. overpressure		5 – 7 bar / 73 – 102 psi
Compressed air connection		M5 female (10-32 UNF suitable)
Actuation time	– Closing	5.5 s
	– Opening	5.5 s
Weight		70 kg / 155 lbs

Created by: MAEM	Release date: 2014-02-03	1 of 2
Modified by:	Release date:	295093EA



VAT Vakuumentile AG
CH-9469 Haag, Schweiz

Product data sheet

HV gate valve, Series 110, DN 320 (ID 12")

Ordering No. 11050-PE24

Behavior in case of compressed air pressure drop – Valve closed
– Valve open

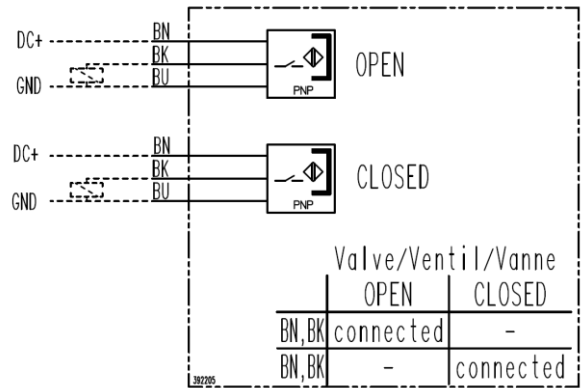
Behavior in case of power failure – Valve closed
– Valve open

valve remains closed
undefined

depending on customer installation
depending on customer installation

Position indicator

Type PNP NO with LED
Voltage 10 – 30 V DC
Current max. 200 mA
Power max. 10 W
Cable length 1800 mm / 70.9 inch



Wiring diagram