

VACU-SHIELD TRAPS AND FILTERS

PARTICULATE FILTERS

Particulate filters are ANCORP's recommended solution for filtering particles between 10 and 100 microns in size. Particulate filters may be configured with either paper (VSPC) or polyester (VSPI) media.



CONTENTS

1. Product Features.....	2
2. Operating Instructions.....	2
3. Particulate Filter.....	3
4. In-line Particulate Filter.....	3

Product Features

- Rechargeable, 304 stainless steel housing: Allows rapid, in-situ vacuum gasket servicing and media replacement. Elastomeric gasket and stainless steel clamp suitable for high vacuum applications.

PARTICULATE FILTER

- Port terminations: ISO-QF and Swagelok® (other configurations available upon request)
- Media: Paper

PARTICULATE FILTER, IN-LINE

- Port terminations: ISO-QF (other configurations available upon request)
- Media: Polyester

OPERATING INSTRUCTIONS

Using your particulate filter for the first time:

1. When installing, make note of the flow direction to the vacuum pump shown with the arrow on the filter
2. Initial clean-up is required when the filter is pumped on after being in room air for some time. To clean, allow the vacuum pump to pull a vacuum on the filter while blanked off for approximately 30 minutes.
3. After initial clean-up, a more standard pump down cycle will occur, but some perceived loss will occur in pumping speed due to water vapor in the element.

Installing a new element:

1. Clean the gasket and filter.
2. Install the element over the mandrel with a nylon washer and 5/16 stainless steel bolt.
3. Secure the hex nut by hand firmly and tighten 2/3 of a turn with a wrench.

Particulate Filter

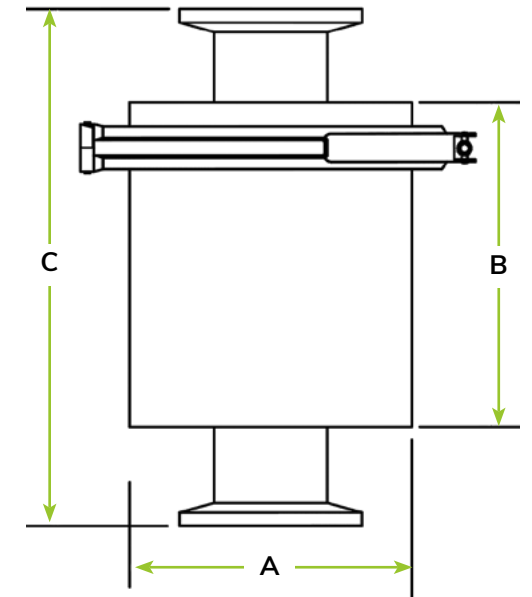
Particulate Filters are offered in ISO-QF and Swagelok® connections. They feature an electropolished 304 stainless steel construction that is durable and convenient to install and maintain. The compact paper media features a 10 micron mesh for any particles 10 micron or larger. **Note: If dealing with particles 100 micron or larger, use a particulate separator.**

PARTICULATE FILTER, ISO-QF

PART #	REFERENCE ID	A	B	C	CONNECTION
7500510	VSPC-300-QF25	3.00	3.50	5.50	QF25 FLANGE
7500511	VSPC-400-QF40	4.00	3.50	5.50	QF40 FLANGE
7500512	VSPC-400-QF50	4.00	3.50	6.50	QF50 FLANGE

PARTICULATE FILTER, SWAGELOK

PART #	REFERENCE ID	A	B	C	CONNECTION
7500501	VSPC-200-25SWG	2.00	3.80	5.20	1/4" SWAGELOK®
7500502	VSPC-200-38SWG	2.00	3.80	5.20	3/8" SWAGELOK®
7500503	VSPC-200-50SWG	2.00	3.80	5.40	1/2" SWAGELOK®



In-Line Particulate Filter

In-Line Particulate Filters are offered in ISO-QF connections. They feature an electropolished 304 stainless steel construction that is durable and convenient to install and maintain. They protect your mechanical vacuum pump from particles found in industrial processes. The cleanable polyester element features a 10 micron mesh for any particles 10 micron or larger. **Note: If dealing with particles 100 micron or larger, use a particulate separator.**

IN-LINE PARTICULATE FILTER, ISO-QF

PART #	REFERENCE ID	A	B	C	CONNECTION
7500525	VSPI-400-QF25	4.00	15.00	6.00	QF25 FLANGE
7500526	VSPI-600-QF40	6.00	16.50	8.50	QF40 FLANGE

